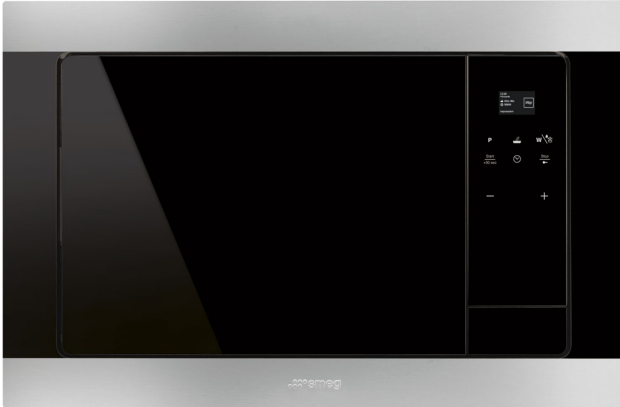


Microwave - Classica - FMI320X

Microwave, Classica, Built-in, Microwave with grill, Stainless steel

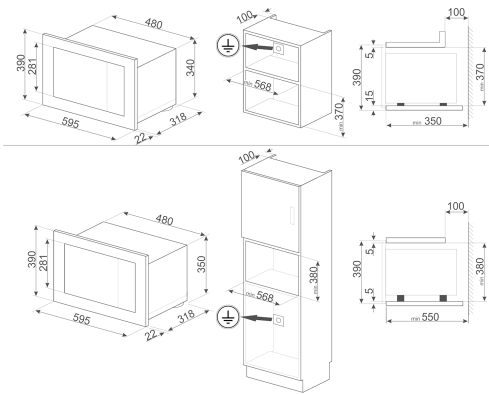


ACCESSORIES INCLUDED

Grid: 1

Frame: Yes

OPTIONAL



TYPE

Cooking Method: Microwave with grill • Product Family: Microwave • Category: Built-in • Installation: With frame • Control: Electronic

AESTHETICS

Aesthetics: Classica • Colour: Finger friendly stainless steel • Type of steel: Brushed • Glass Type: Eclipse • Door: Full glass • Frame: Yes • Colour: Stainless steel • Finishing: Fingerproof • Material: Stainless steel • Aesthetics: Classic

CONTROLS

Display / Clock: TFT • Type of control setting: Touch control • Opening: Mechanical button

PROGRAMS / FUNCTIONS

Defrost by time: Yes • Microwave: Yes • No. of functions: 5 • Other Microwave functions: Memory • Microwave + grill: Yes • Automatic programmes: 3 • Defrost by weight: Yes • Full grill: Yes

OPTIONS

End of cooking acoustic alarm: Yes • Timer: Electronic • Showroom demo option: Yes • Quick start option: Yes • Time-setting options: End cooking • Controls Lock / Child Safety: Yes • Limited Power Consumption Mode: Yes

TECHNICAL FEATURES

Microwave stops when door is opened: Yes • Cavity material: Stainless steel • Shelves type: Rack • Door opening: Side-opening • Light when door is opened: Yes • Grill type: Quartz • No. of shelves/ levels: 2 • Turntable dimensions: 24,5 cm • No. of lights: 1 • Microwave screen protection: Yes • Microwave effective power: 850 W • Grill - power: 1000 W • Light type: Incandescent • Total no. of door glasses: 2 • Cooling system: Tangential • Turntable: Yes • Light Power: 20 W

PERFORMANCE / ENERGY LABEL

Net volume: 20 l

ELECTRICAL CONNECTION

Voltage (V): 230 V • Frequency (Hz): 50 Hz • Current: 5,2 A • Nominal power: 1200 W

LOGISTIC INFORMATION