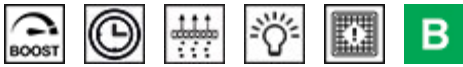




Hood - Universale - KIVgoXE

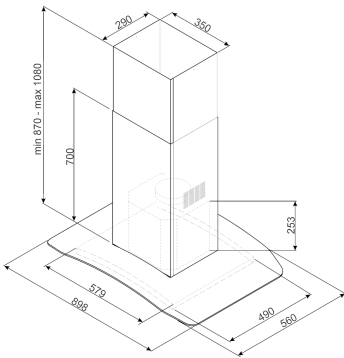
Hood, Decorative island hood, Universale, Universale, Stainless steel, Decoration / Special colour: 90 cm, B



ACCESSORIES INCLUDED

Tube reduction: Yes

OPTIONAL



TYPE

Product family: Hood • Extraction: Expulsion • Subfamily: Decorative island hood • Hood width: 90 cm • Electronic control: Yes

AESTHETICS

Aesthetics: Universale • Aesthetics: Neutral • Design: Curved • Color: Steel / Glass • Type of steel: Brushed • Glass Type: Clear • Serie: Universale • Colour: Stainless steel • Finishing: Satin • Material: Stainless steel

CONTROLS

Control setting: Electronic buttons • Led color: White

PROGRAMS / FUNCTIONS

No. of speeds: 3 • Intensive speed: Yes • Time-setting options: Automatic switch-off

TECHNICAL FEATURES

Light color temperature scale (°K): 4000 °K • Anti-grease filters: Aluminium • Light Power: 1 W • Non return valve: Yes • No. of filters: 2 • No. of lights: 4 • Free outlet maximum capacity: 820 m³/h • Motor power: 275 W • Light type: LED • Vent outlet: 150 mm • Filter replacement indicator: Yes

PERFORMANCE / ENERGY LABEL

Air flow at maximum speed (Qmax): 535 m³/h • Measured air flow rate at best efficiency point (Qbep): 417 m³/h • Fluid Dynamic Efficiency (FDE): 28.6 • Air flow at minimum speed (Qmin): 310 m³/h • Average illumination of the light on the cooking surface (Emiddle): 404 lux • Annual Efficiency Consumption (AEhood): 64.4 kWh/a • Grease Filtering Efficiency (GFE): 84.5 % • Grease Filtering Efficiency Class (GFEC): C • Measured air pressure at best efficiency point (Pbep): 426 Pa • Fluid Dynamic Efficiency class (FDEC): A • Power consumption in stand-by mode (Ps): 0.49 W • Airborne acoustical A-weighted sound Power Emission at maximum speed (SPEmax): 62 dB(A) • Nominal Power consumption of the light system (WL): 4 W • Energy efficiency class (EEC): B • Time increase factor (F): 1.00 • Air flow at boost speed (Qboost): 760 m³/h • Lighting Efficiency Class (LEC): A • Lighting Efficiency (LE): 91.8 lux/W • Measured electric power input at best efficiency point (Wbep): 173 W • Airborne acoustical A-weighted sound power emission at boost speed (SPEboost): 71 dB(A) • Airborne acoustical A-weighted sound Power Emission at minimum speed (SPEmin): 50 dB(A) • Sound power level at highest setting (Lwa): 62 dB(A)

ELECTRICAL CONNECTION

Voltage: 220-240 V • Frequency (Hz): 50-60 Hz • Electrical connection rating: 280 W

OPTIONAL ACCESSORIES

LOGISTIC INFORMATION

SPEED 1

Power: 196 W • Noise level IEC 60704-2-13: 50 dB(A) • Extraction rate IEC 61591: 310 m³/h

SPEED 2

Power: 230 W • Noise level IEC 60704-2-13: 58 dB(A) • Extraction rate IEC 61591: 387 m³/h

SPEED 3

Power: 279 W • Extraction rate IEC 61591: 535 m³/h • Noise level IEC 60704-2-13: 62 dB(A)

INTENSIVE SPEED

Extraction rate (IEC 61591): 750 m³/h • Noise level IEC 60704-2-13: 71 dB(A) • Power: 305 W