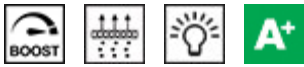


Hood - Portofino - KPF9BL

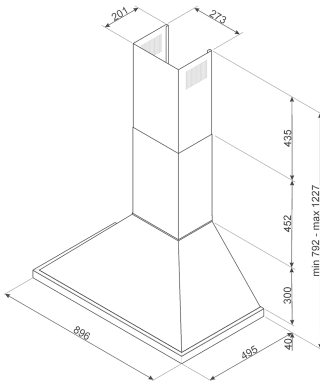
Hood, Decorative wall hood, Portofino, Portofino, Black, Decoration / Special colour: 90 cm, A+



OPTIONAL

FLT6: Charcoal filter, Hoods

KITALLFC: Charcoal filter, Hoods



TYPE

Product family: Hood • Extraction: Expulsion • Subfamily: Decorative wall hood • Hood width: 90 cm

AESTHETICS

Aesthetics: Portofino • Aesthetics: Portofino • Design: Chimney • Color: Black • Type of steel: Brushed • Serie: Portofino • Colour: Black • Material: Stainless Steel • Painted Material

CONTROLS

Control knobs: Portofino • Control setting: Control knobs • No. of controls: 2 • Controls colour: Steel effect

PROGRAMS / FUNCTIONS

No. of speeds: 3 • Intensive speed: Yes

TECHNICAL FEATURES

Light color temperature scale (°K): 4000 °K • Anti-grease filters: Stainless steel • Light Power: 2 W • Minimum distance from GAS hob: 750 mm • Non return valve: Yes • No. of filters: 3 • No. of lights: 2 • Free outlet maximum capacity: 815 m³/h • Motor power: 275 W • Light type: LED • Vent outlet: 150 mm • Minimum distance from ELECTRIC hob: 650 mm

PERFORMANCE / ENERGY LABEL

Air flow at maximum speed (Qmax): 630 m³/h • Measured air flow rate at best efficiency point (Qbep): 413 m³/h • Fluid Dynamic Efficiency (FDE): 36.2 • Air flow at minimum speed (Qmin): 288 m³/h • Average illumination of the light on the cooking surface (Emiddle): 172 lux • Annual Efficiency Consumption (AEHood): 40.1 kWh/a • Grease Filtering Efficiency (GFE): 78.5 % • Grease Filtering Efficiency Class (GFEC): C • Measured air pressure at best efficiency point (Pbep): 476 Pa • Fluid Dynamic Efficiency class (FDEC): A • Airborne acoustical A-weighted sound Power Emission at maximum speed (SPEmax): 67 dB(A) • Nominal Power consumption of the light system (WL): 2 W • Energy efficiency class (EEC): A+ • Time increase factor (F): 1.00 • Air flow at boost speed (Qboost): 781 m³/h • Lighting Efficiency Class (LEC): A • Lighting Efficiency (LE): 78.2 lux/W • Energy Efficiency Index: 40.3 • Measured electric power input at best efficiency point (Wbep): 151 W • Airborne acoustical A-weighted sound power emission at boost speed (SPEboost): 72 dB(A) • Airborne acoustical A-weighted sound Power Emission at minimum speed (SPEmin): 48 dB(A) • Sound power level at highest setting (Lwa): 67 dB(A)

ELECTRICAL CONNECTION

Voltage: 220-240 V • Frequency (Hz): 50-60 Hz • Electrical connection rating: 277 W

LOGISTIC INFORMATION

ALSO AVAILABLE

SPEED 1

Power: 173 W • Noise level IEC 60704-2-13: 48 dB(A) • Extraction rate IEC 61591: 288 m³/h

SPEED 2

Power: 199 W • Noise level IEC 60704-2-13: 63 dB(A) • Extraction rate IEC 61591: 421 m³/h

SPEED 3

Power: 223 W • Extraction rate IEC 61591: 630 m³/h • Noise level IEC 60704-2-13: 67 dB(A)

INTENSIVE SPEED

Extraction rate (IEC 61591): 781 m³/h • Noise level IEC 60704-2-13: 72 dB(A) • Power: 224 W