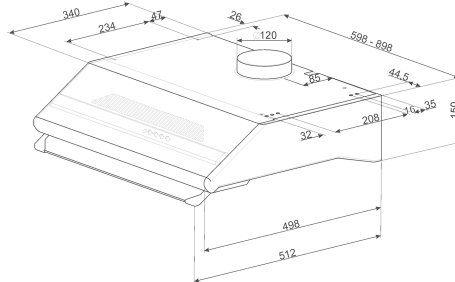
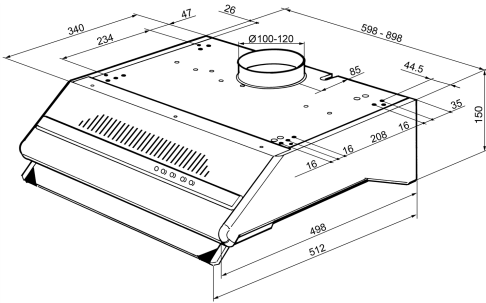


## Hood - Universale - KSEC66XE

Hood, Integrated (semi) hood, Universale, Universale, Stainless steel, Decoration / Special colour: 60 cm, E



### OPTIONAL



## TYPE

Product family: Hood • Extraction: Expulsion • Subfamily: Integrated (semi) hood • Hood width: 60 cm

## AESTHETICS

Aesthetics: Universale • Aesthetics: Neutral • Design: Visible front panel • Color: Stainless steel • Serie: Universale • Colour: Stainless steel • Finishing: Satin • Material: Stainless steel

## CONTROLS

Control setting: Buttons

## PROGRAMS / FUNCTIONS

No. of speeds: 3

## TECHNICAL FEATURES

Anti-grease filters: Integrated filter • Light Power: 4 W • Minimum distance from GAS hob: 650 mm • Non return valve: Yes • No. of filters: 2 • No. of lights: 2 • Free outlet maximum capacity: 245 m<sup>3</sup>/h • Motor power: 125 W • Light type: LED • Vent outlet: 120 mm • Minimum distance from ELECTRIC hob: 500 mm

## PERFORMANCE / ENERGY LABEL

Air flow at maximum speed (Qmax): 230 m<sup>3</sup>/h • Measured air flow rate at best efficiency point (Qbep): 128 m<sup>3</sup>/h • Fluid Dynamic Efficiency (FDE): 5.1 • Air flow at minimum speed (Qmin): 170 m<sup>3</sup>/h • Average illumination of the light on the cooking surface (Emiddle): 100 lux • Annual Efficiency Consumption (AEhood): 105.9 kWh/a • Grease Filtering Efficiency (GFE): 40 % • Grease Filtering Efficiency Class (GFEC): G • Measured air pressure at best efficiency point (Pbep): 141 Pa • Fluid Dynamic Efficiency class (FDEC): F • Airborne acoustical A-weighted sound Power Emission at maximum speed (SPEmax): 72 dB(A) • Nominal Power consumption of the light system (WL): 8 W • Energy efficiency class (EEC): E • Time increase factor (F): 1.8 • Lighting Efficiency Class (LEC): G • Lighting Efficiency (LE): 2 lux/W • Energy Efficiency Index: 95.6 • Measured electric power input at best efficiency point (Wbep): 99 W • Airborne acoustical A-weighted sound Power Emission at minimum speed (SPEmin): 64 dB(A) • Sound power level at highest setting (Lwa): 72 dB(A)

## ELECTRICAL CONNECTION

Voltage: 220-240 V • Frequency (Hz): 50 Hz • Electrical connection rating: 133 W

## LOGISTIC INFORMATION

### SPEED 1

Power: 85 W • Noise level IEC 60704-2-13: 64 dB(A) • Extraction rate IEC 61591: 170 m<sup>3</sup>/h

### SPEED 2

Power: 100 W • Noise level IEC 60704-2-13: 69 dB(A) • Extraction rate IEC 61591: 210 m<sup>3</sup>/h

### SPEED 3

Power: 125 W • Extraction rate IEC 61591: 230 m<sup>3</sup>/h • Noise level IEC 60704-2-13: 72 dB(A)